

Samsung Electronics Co., Ltd. is a global leader in technology, opening new possibilities for people everywhere. Through relentless innovation and discovery, we are transforming the worlds of televisions, smartphones, personal computers, printers, cameras, home appliances, LTE systems, medical devices, semiconductors and LED solutions.

We employ 236,000 people across 79 countries with annual sales of US\$187.8 billion. To discover more, please visit [www.samsung.com](http://www.samsung.com).

CT-XGEO GF50 2.0-FTW-140417-EN

	XGEO GF50	XGEO GF50A
Tube	300kHU (210kJ)	150kHU (105kJ)
HVG(Generator)	52kW, 150kVp, 640mA	40kW, 125kVp, 500mA
Power connection	3-phase, 380/400VAC, 50/60Hz	Single phase, 220/230VAC, 50/60Hz
Table	6-way, 4-way	4-way
Wireless Detector	S4335-W	
Option	AEC, DAP	



© 2014 Samsung Electronics All rights reserved.  
 Samsung Electronics reserves the right to modify the design, packaging, specifications, and features shown herein, without prior notice or obligation.

# EFFICIENCY AT HAND

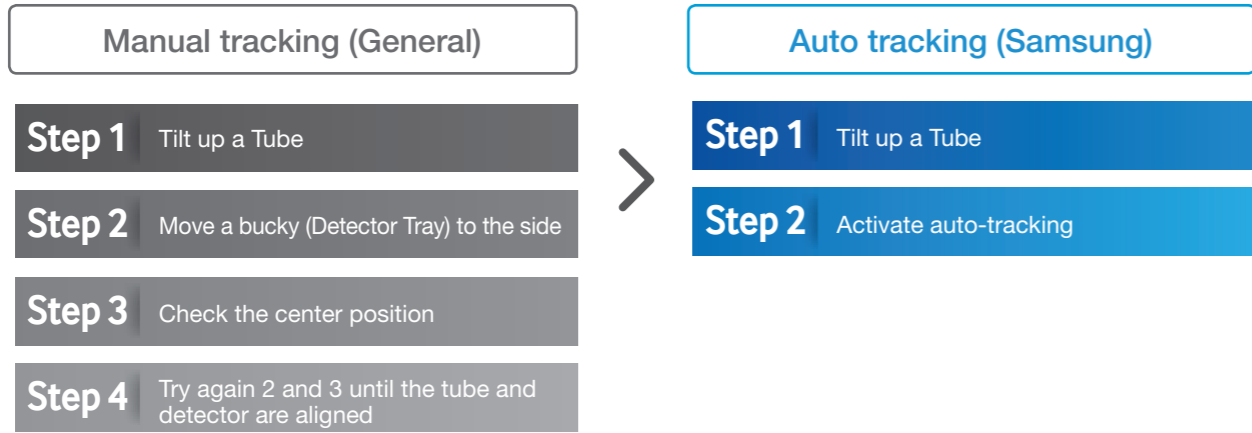
## XGEO GF50 series



# EXPERIENCE ENHANCED WORKFLOW LEADING TO HIGH THROUGHPUT

## Easier operation with Auto-tracking

Automated operation such as Auto-tracking yields a fast, accurate diagnosis, regardless of the patient's position. Auto-tracking function reduces workflow steps by half compared to the conventional manual tracking.



## Patients' comfort and high throughput with lightweight wireless S-Detector

Wireless S-Detector can be used anywhere and moved quickly and easily, resulting in high throughput and improved patient comfort and convenience when imaging any area of the body. As a result, the operator's effort is reduced and a greater number of patients can be served.

## Quick acquisition time

Preview and acquisition take less than 3 seconds, and full acquisition less than 10 seconds. It is easy to shoot multiple images after checking the preview image.





# EXPERIENCE PRECISE DIAGNOSIS WITH EXCELLENT IMAGES AND LOW DOSE

## Superior-quality images with S-Vue™

Next-generation S-Vue™ imaging engine delivers high-resolution images through advanced processing and adaptive filtering, which enhance image contrast and sharpness.

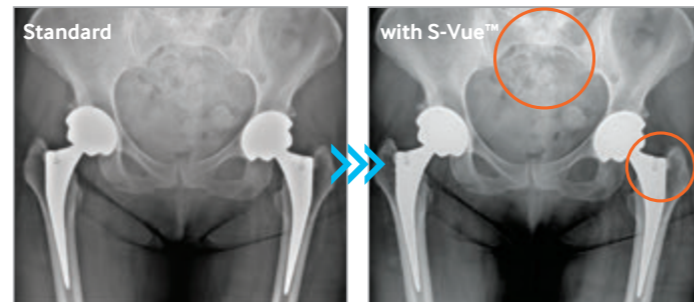
### • Enhanced image sharpness and clarity

Although thickness of bones varies, advanced image processing technology effectively separates thick and thin parts to display overlapping areas and contours more sharply and clearly.



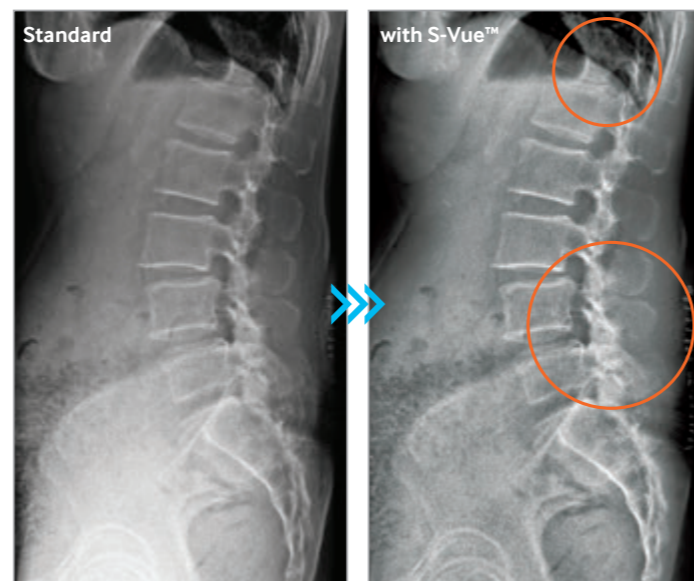
### • Ensured image integrity

Even in the presence of an implant, regions-of-interest (ROI) display clearly without artifacts. In areas where bones overlap, each bone clearly displays.



### • Excellent dynamic range

Because the regions-of-interest (ROI) contrast is improved, a clear, detailed display of bone and soft tissue in a single image is provided. Patients' organs such as lung, spine and inguinal region with different characteristics can be displayed in detail on a single page.

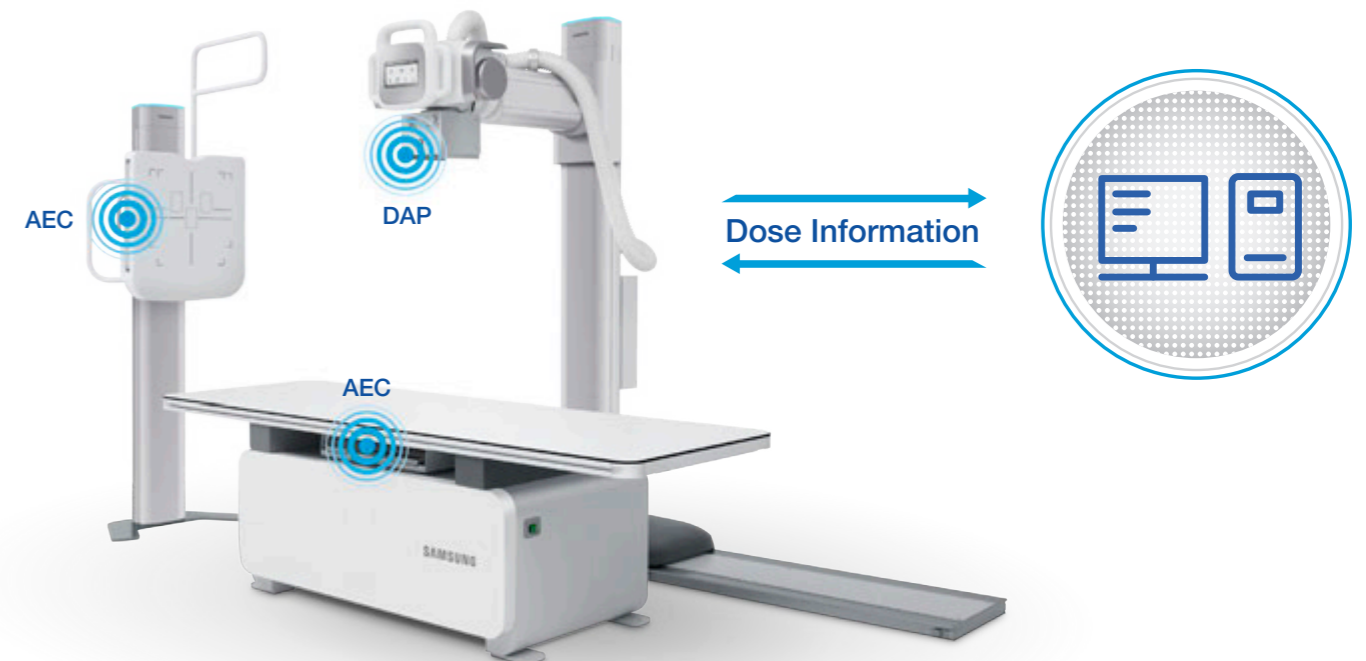


## Image sharpness and low dose with S-Detector

Samsung's digital detector enables accurate diagnoses. Advanced S-Detector displays anatomical structure clearly and vividly with high Detective Quantum Efficiency (DQE). In addition, the detector lowers the radiation dose for radiographers and patients.

## Enhanced dose management

The XGEO GF50 series manages and lowers required radiation dose with several advanced functions. Dose Area Product(DAP) provides patient-level dose estimates and maximum recommended exposures. Relevant information is stored on PACS, enabling cumulative patient dose tracking. Automatic Exposure Control(AEC) reduces excessive patients' radiation exposure.





## EXPERIENCE SIMPLIFIED OPERATION WITH ADVANCED USABILITY

### Ergonomic design with foot sensor

The ergonomic design provides enhanced accessibility with 4-way or 6-way table movement for quick, accurate patient positioning. The range of longitudinal movement is  $\pm 500\text{mm}$  and the range of transverse movement is  $\pm 125\text{mm}$ . The wide table enhances patient comfort, and the foot sensor helps users to conveniently control the 4-way table top by recognizing the push of the user's foot.



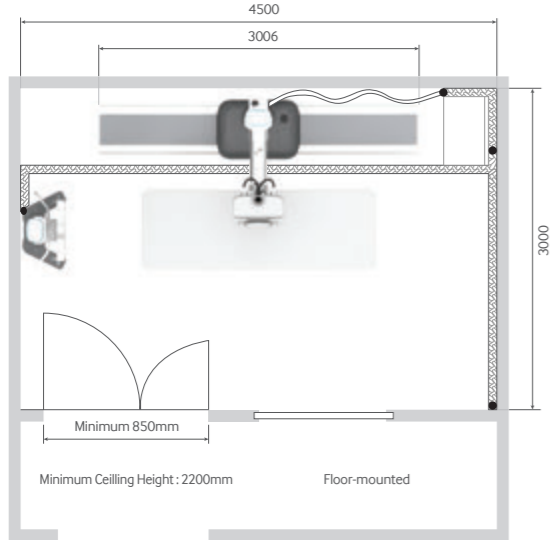
### Intuitive User Interface

Intuitive interface of the workstation allow users to easily operate the system. The Anatomical Programmed Radiography (APR) selects the appropriate imaging method for the parts being imaged to ensure quick examinations, and hospitals can select the APR database according to their needs.



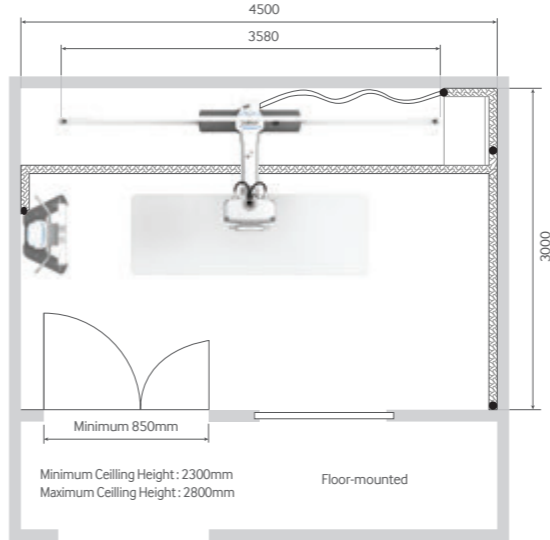
# EXPERIENCE IMPROVED SPACE EFFICIENCY

Compact design enables easy installation, even in tight spaces. In addition, tube stands of both floor-mounted type and floor-ceiling type are reliable.



GF50/GF50A Floor-mounted type

Room Consideration  
Typical room layout



GF50/GF50A Floor-ceiling type

Room Consideration  
Typical room layout





# REDUCE DOWNTIME AND ENHANCE OPERATIONS



## Faster and always on

Samsung Service increases operational efficiency and throughput rate with fast, systematic service and advanced technical support. The service also supports clients' growth and business innovation by sharing best practices with service engineers in 207 countries worldwide. To accomplish this, Samsung Service continually develops and offers a variety of customer service programs, such as maintenance solutions and S-Care service offering.

## VALUE CARE SERVICES

### Maintenance Solution: 24/7, 365 days per year

▶ **Remote Management System**

This system enables continuous monitoring of system errors, along with auto-diagnosis of the system and software version.

▶ **24/7 Call Center**

The customer support center operates 24/7, 365 days per year to quickly respond to clients' problems.

▶ **Upgrade Service**

Samsung helps clients use the latest products through optional detector upgrades, along with hardware and software upgrades.

▶ **Service Offering**

Samsung offers clients the flexibility to choose service support that fits any budget by allowing them to select the coverage to meet their unique requirements.

